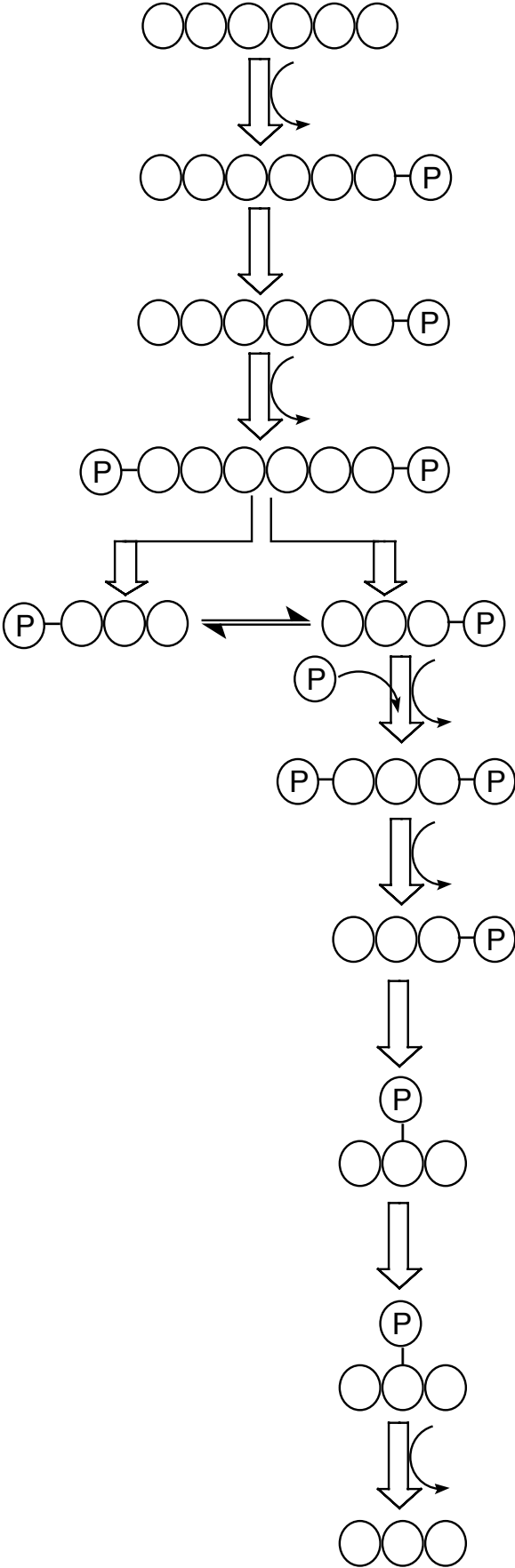
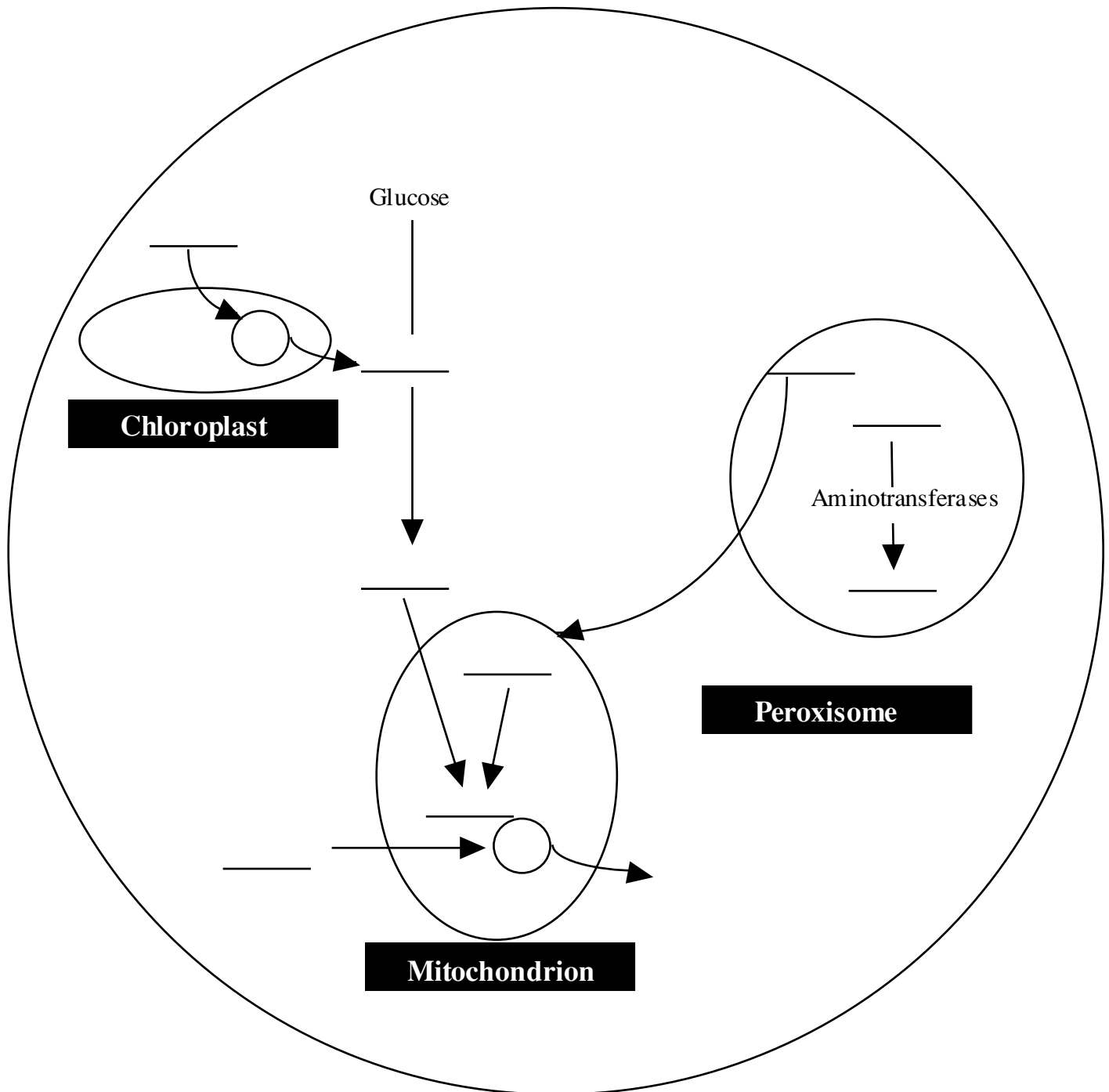


Glycolysis

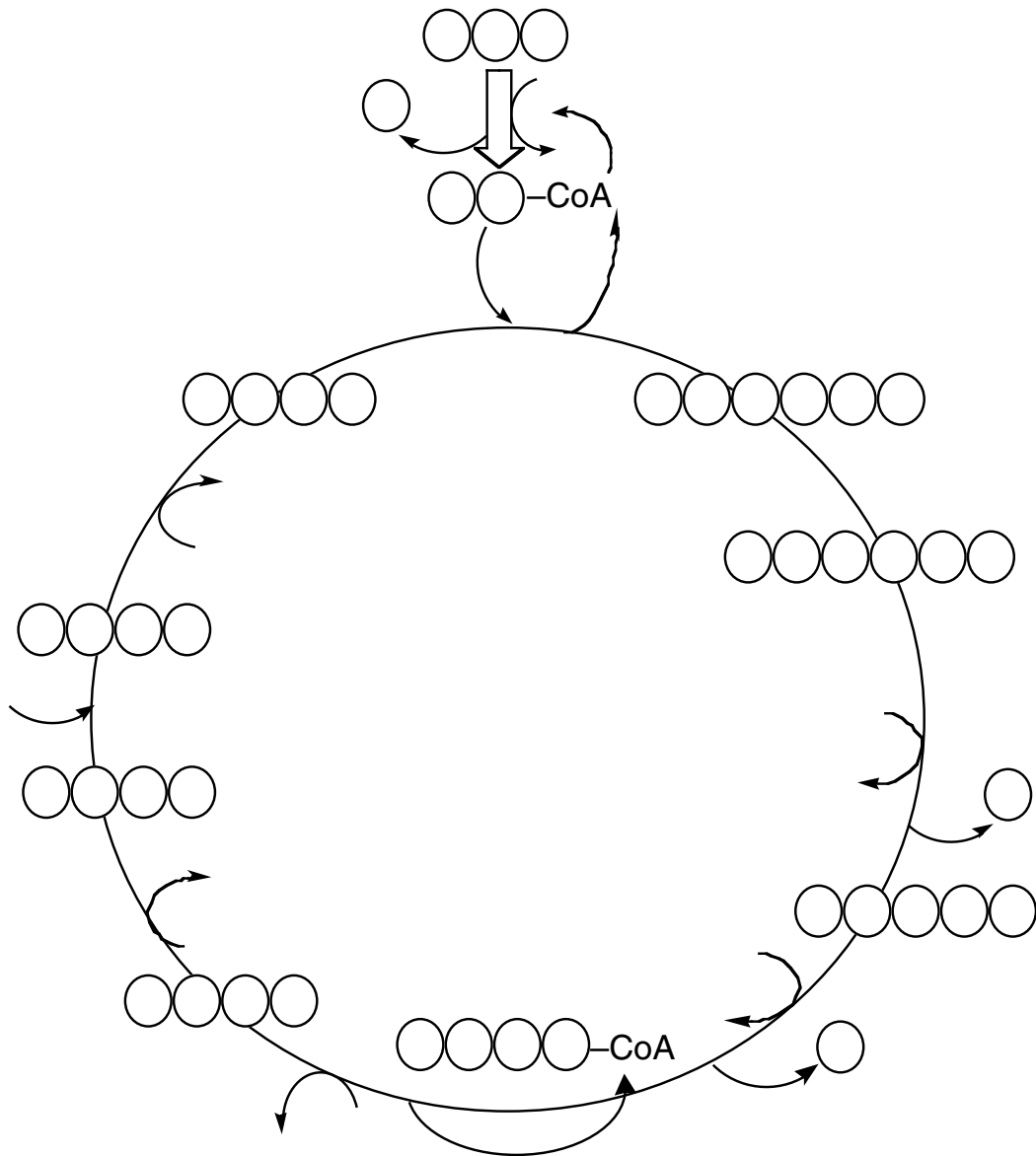
ENERGY SCORECARD		
ATP	NADH	FADH ₂



Where

Fill in the blanks with:

- Acetyl CoA
- Amino acid
- CO₂
- Fatty acid
- Phosphoglyceraldehyde
- Pyruvate



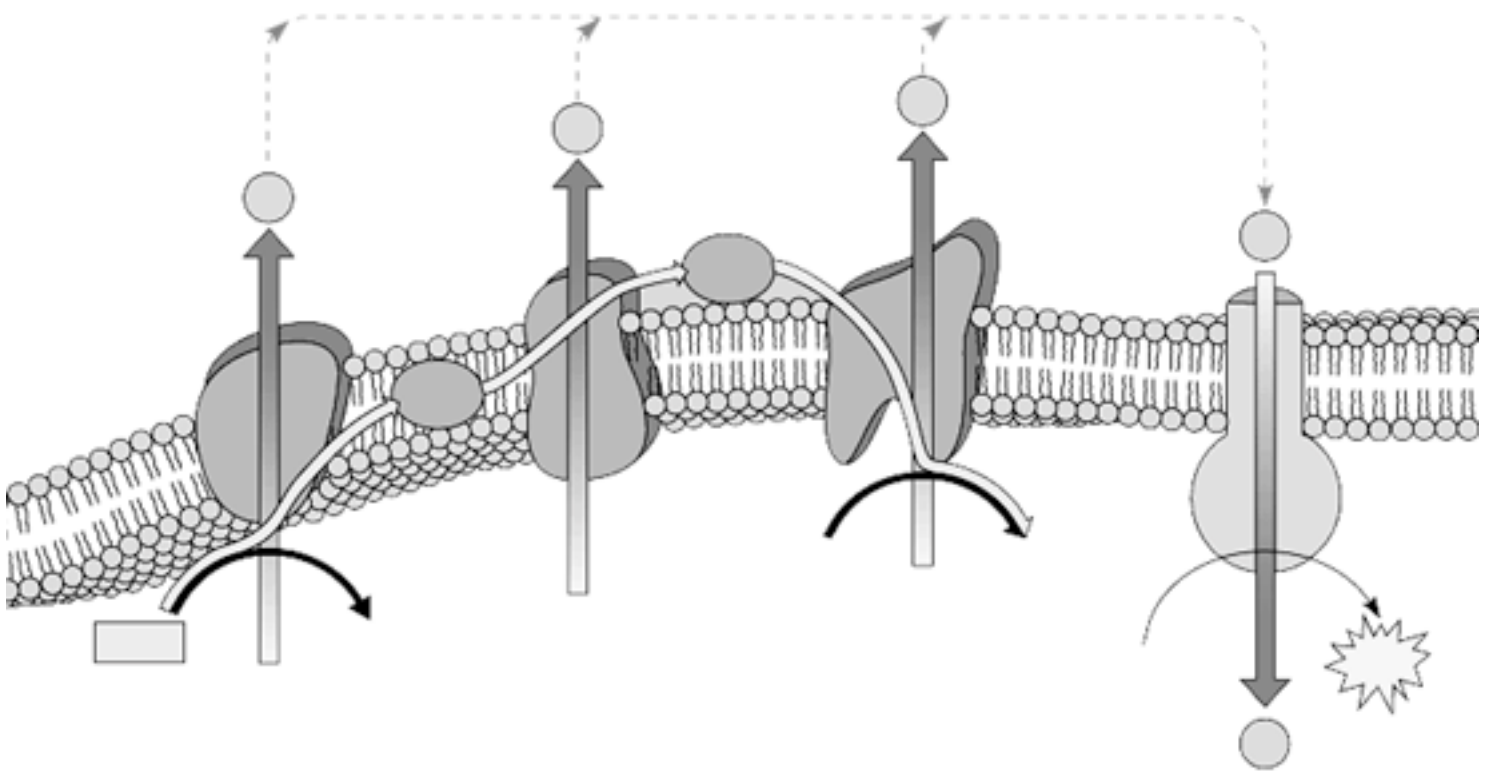
ENERGY SCORECARD		
ATP	NADH	FADH ₂

Chemiosmotic Generation of ATP

Identify the following:

- + side of the membrane
- Acidic side of the membrane
- Aerobic respiration
- Anaerobic respiration
- ATP synthase
- Electron carriers
- Electron pathway
- H⁺

- G conserving sites
- Matrix
- NAD
- Proton motive force
- Proton pathway
- Eukaryote: Inner mitochondrial membrane
- Prokaryote: Cytoplasmic membrane



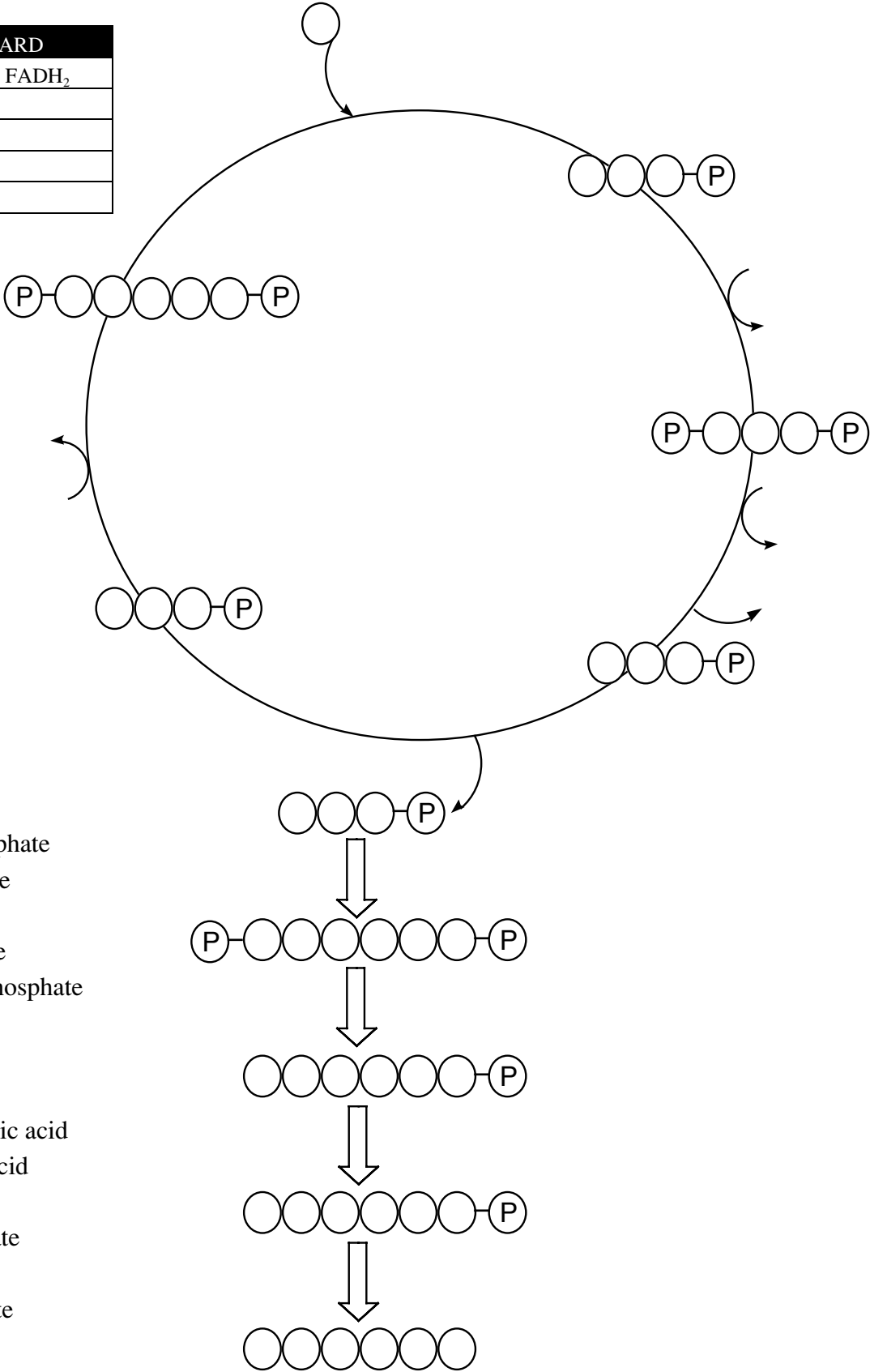
Hydrogen Atom
Identify the
H⁺
e⁻

The diagram shows a simple model of a hydrogen atom. It consists of a central black dot representing the nucleus and a larger white circle representing the electron cloud. A smaller black dot is located on the right side of the electron cloud, representing an electron (e⁻).

ENERGY SCORECARD		
ATP	NADH	FADH ₂

Calvin Cycle

ENERGY SCORECARD		
ATP	NADH	FADH ₂



Identify:

- ADP
- ATP
- CO₂
- Fructose-1,6-diphosphate
- Fructose-6-phosphate
- Glucose
- Glucose-6-phosphate
- Glyceraldehyde 3-phosphate
- Glycolysis
- NaDP
- NADPH
- 1,3-diphosphoglyceric acid
- 3-phosphoglyceric acid
- P₁
- Ribulose biphosphate
- carboxylase
- Ribulose-5-phosphate
- Rubisco

Generation of ATP by Photophosphorylation

Identify the following:

+ side of the membrane

Acidic side of the membrane

ATP synthase

Chlorophyll

Electron carriers

Electron pathway

H^+

H_2O

NADP

O_2

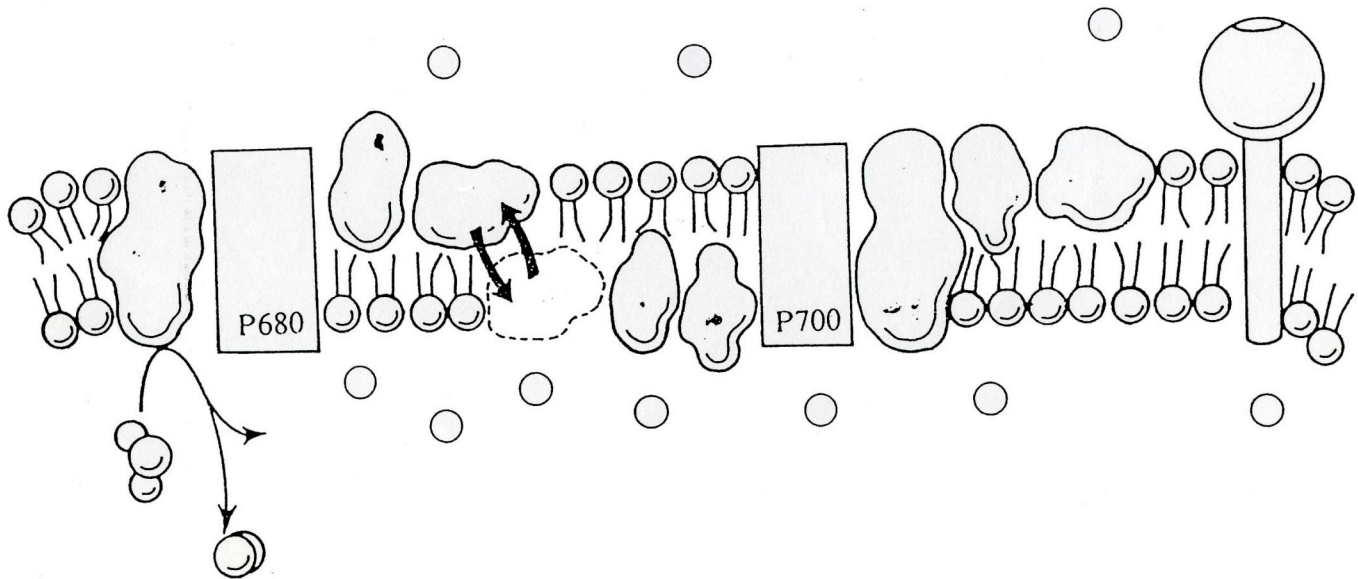
Protons

Proton pathway

Reaction center molecules

Stroma

Thylakoid



What is the role of light?

Differentiate between cyclic and noncyclic photophosphorylation.

